



stripLite SL-4000

LED Control Cabinet light





stripLite LED Control Cabinet Light

stripLite SL-4000		
Type	24 - 265 V	12 V
Part no. (with motion sensor)	400000	400012
Part no. (with ON/OFF switch)	400100	400112
PERFORMANCE DATA		
Power Consumption	4 Watt	
Light output (Luminosity)	400 Lm	
Light color / temperature	Cool white / 6,500K	
Lamp type	LED, 120°angle	
Life time (@ 20°C)	40,000 hrs.	
Operating temp. range	-20°C - +50°C	
Switch off time (motion sensor)	2 min.	
DIMENSIONS		
Dimensions (H x W x D)	350 x 35 x 32 mm	
Material housing	PC clear (Top), PC ABS blue (Base)	
Weight	140 gr.	
ELECTRICAL DATA		
Voltage / Frequency	24 - 265 V AC / DC 50/60 Hz	12 V DC
Protection class	II (double insulated)	
IP protection to IEC 60 529	IP 20	
Feed in / Feed out (Daisy Chain) connection	Wieland connector	
Mounting	Magnetic strips, clips	
Certification	CE	

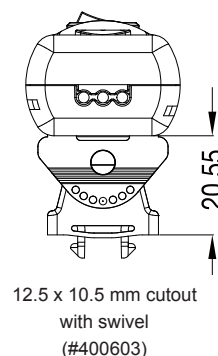
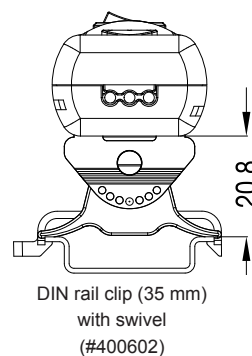
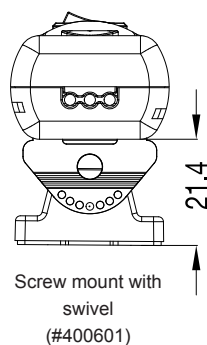
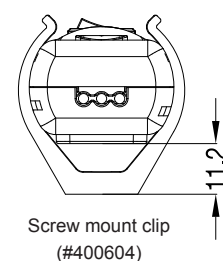
'Lights off, LED on'

The new **stripLite** LED light fixture is the economical and space saving solution for cabinet and enclosure lighting. The state of the art LED technology ensures a long and maintenance free life cycle.

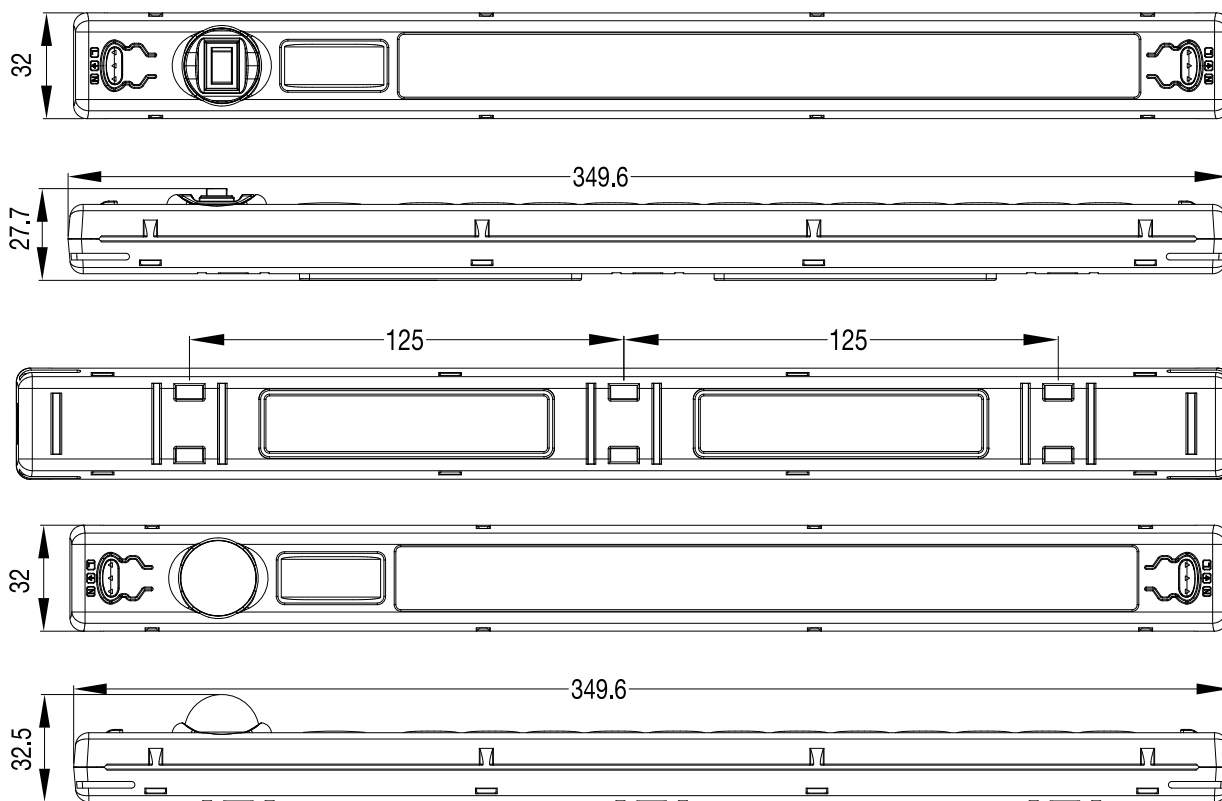
The main features are:

- Combined AC & DC voltage range allows the universal use with only one single model
- ON/OFF switch or motion sensor available
- Various fitting options for more flexibility
- Daisy Chain Adapter or cables allow to connect up to 16 lights with AC and up to 8 lights with DC voltage
- Power Socket Adapter with re- setable power circuit breaker
- Innovative fixing accessories with swivel, allow to direct the light to where it is actually needed
- Wieland connector for fast and easy installation

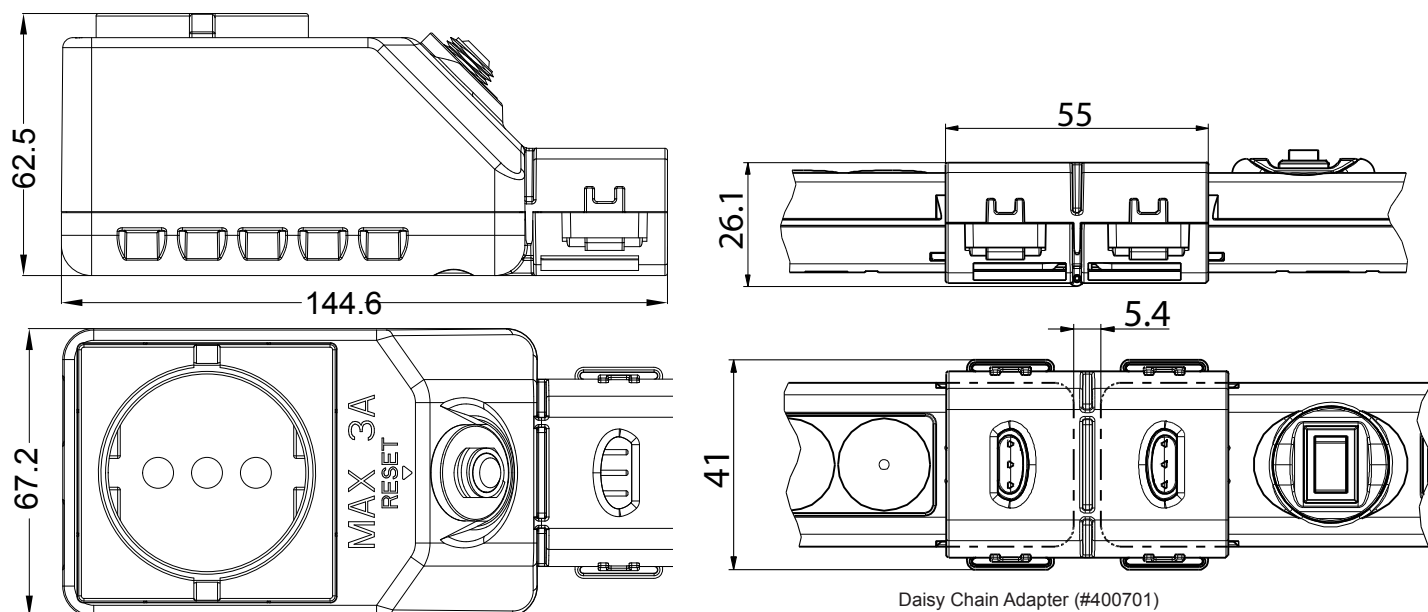
Mounting Accessories



stripLite Dimensions



Power socket / Daisy Chain Adapter dimensions



Power Socket Adaptor

- Type "F" Germany/ Italy etc (standard) (#400801)
- Type "B" USA/ Canada etc (standard) (#400802)
- Type "G" UK/ Ireland etc (standard) (#400803)
- Type "I" Australia/ China etc (standard) (#400804)

Patent pending



wegweisend innovativ

Seifert Systems GmbH

Haßlinghauser Str. 156
58285 Gevelsberg

Germany

Tel. +49 (0) 2332 55124-0
Fax +49 (0) 2332 5512429

info.de@seifertsystems.com

Seifert Systems Ltd.

HF 09/10 Hal Far Industrial Estate
Birzebbuga, BBG 3000

Malta

Tel. +356 2220 7000
Fax +356 2165 2009

info@seifertsystems.com

Seifert Systems AG

Wilerstraße 16
CH- 4563 Gerlafingen

Switzerland

Tel. +41 (0) 32 675 35 51
Fax +41 (0) 32 675 44 76

info.ch@seifertsystems.com

Seifert Systems Inc.

75 Circuit Drive
North Kingstown
RI 02852
USA

Tel. +1 401-294-6960
Fax +1 401-294-6963

info.us@seifertsystems.com

Seifert Systems Australia Pty Ltd.

105 Lewis Road
Wantirna South
3152 Victoria
Australia

Tel. +61 (3) 98 01 19 06
Fax +61 (3) 98 87 08 45

info@seifertsystems.com.au

www.seifertsystems.com



www.facebook.com/seifert.mtmsystems