

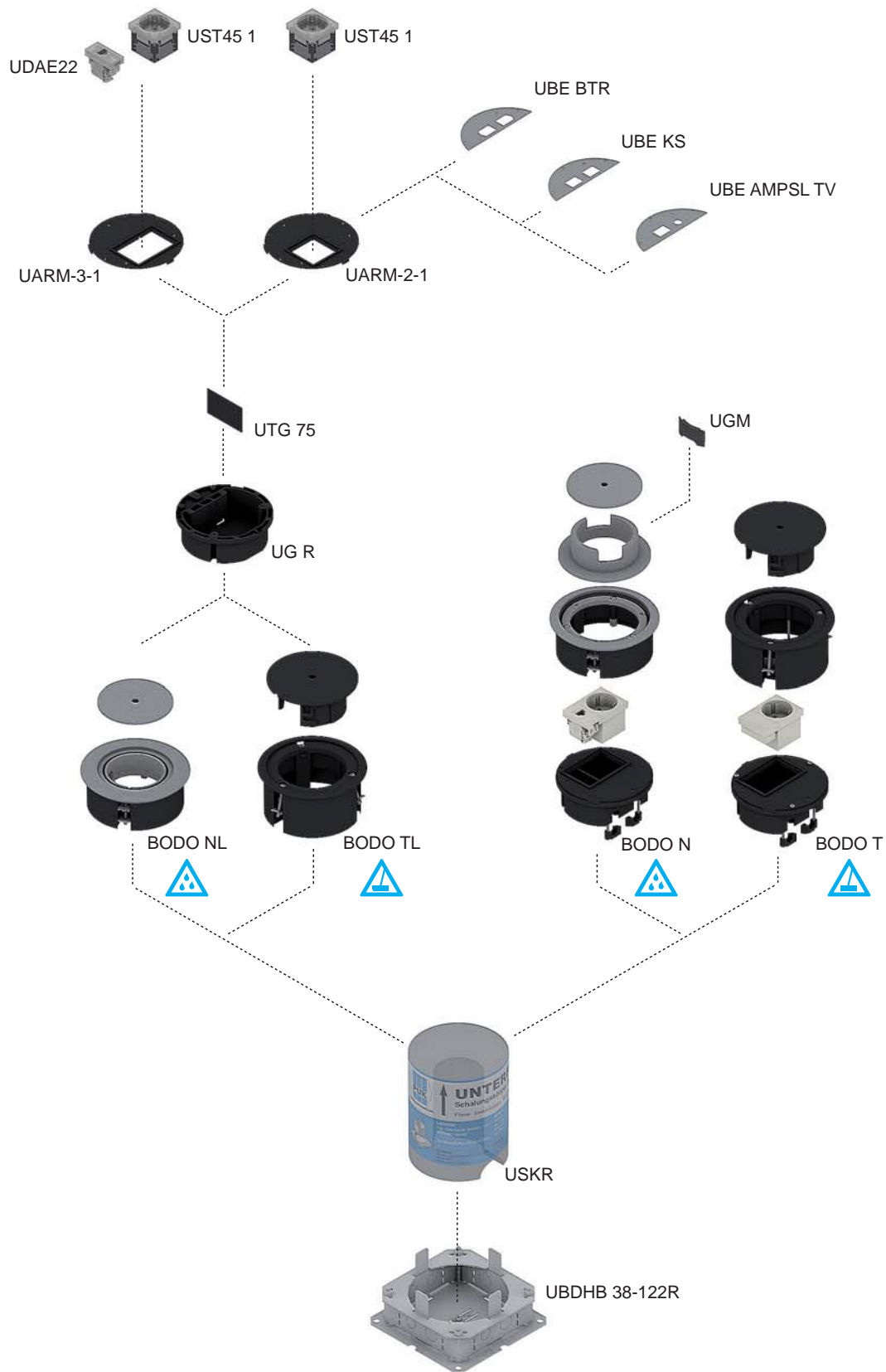
SINGLE OUTLET BODO

WET- AND DRY-MAINTAINED



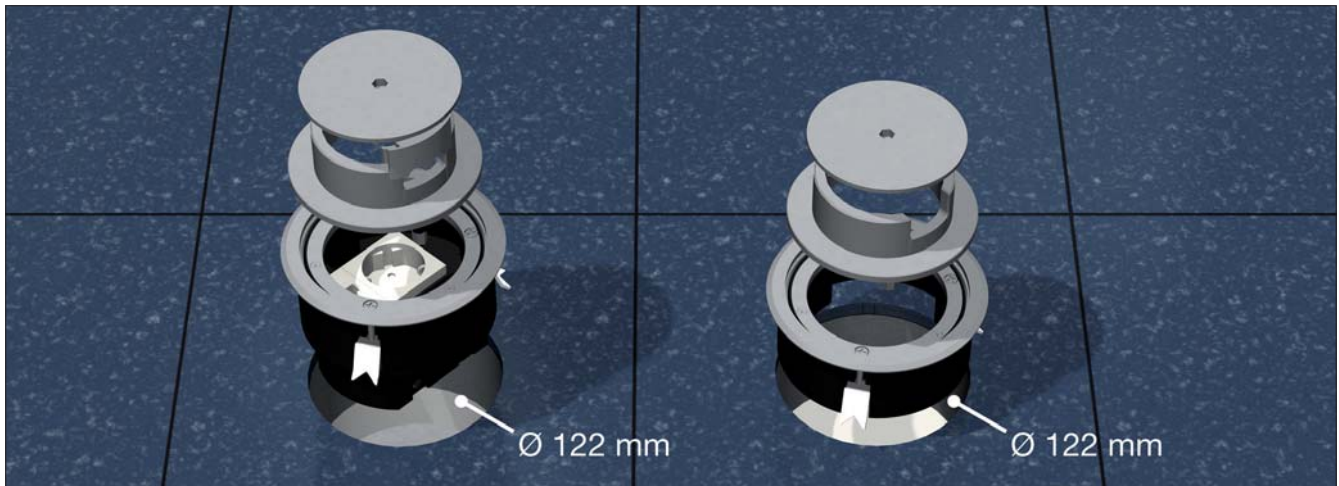
SYSTEM OVERVIEW

SINGLE OUTLET BODO, ROUND

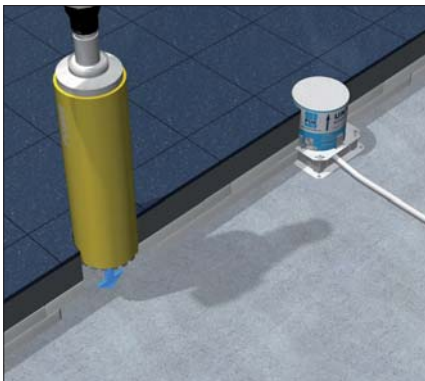


SINGLE OUTLET BODO, WET MAINTENANCE FLOORS

ASSEMBLY INSTRUCTIONS

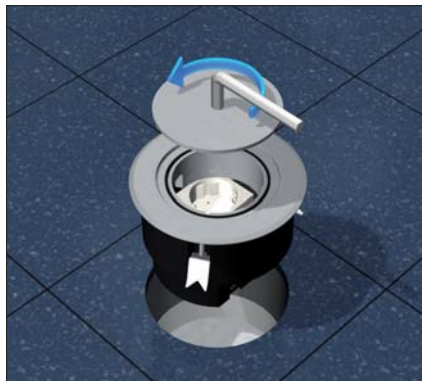


Round single outlet with protection frame made of aluminium, with an outer diameter of 133 mm, equipped with an isolated ground receptacle and an RJ45 data socket (Legrand Typ Cat. 6A STP RJ45, 76573) or inspection chamber. For the installation into screed or raised floors. Other equipment options are available.



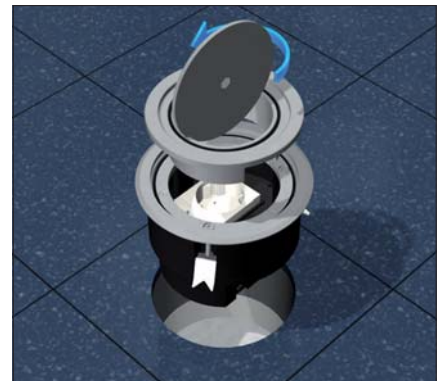
Screed/raised floors

Creating a floor opening in screed or raised floor by means of shuttering / drill bit or by using a hollow floor box with shuttering unit.



Cover

Open cover with the enclosed socket wrench counter clock-wise.



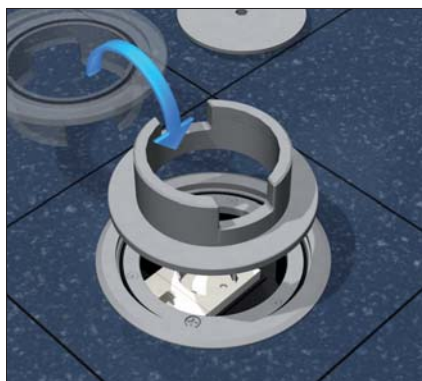
Remove tube

Hinge the enclosed claws with corresponding screws into the notches in the frame. Bring claws to the right position and pull tight with a Phillips screw. Make sure that the frame is solid.



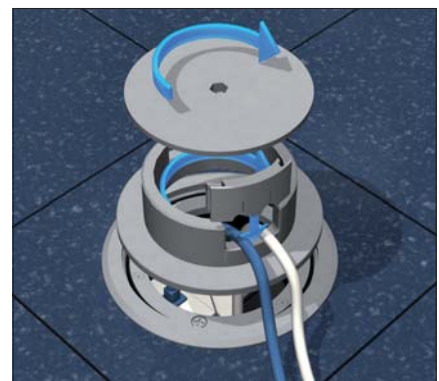
Attach the frame and insert the strain relief

Protection frame have to seal accordingly when used in wet-maintained floors. Insert strain relief from below into the opening and secure the cable. Tighten the claws by means of cross-head screws.



Tube insert

Bring single-outlet from closed to open state by swivelling the tube insert by 180°. Insert the rubber sleeve for a dust-proof sealing.

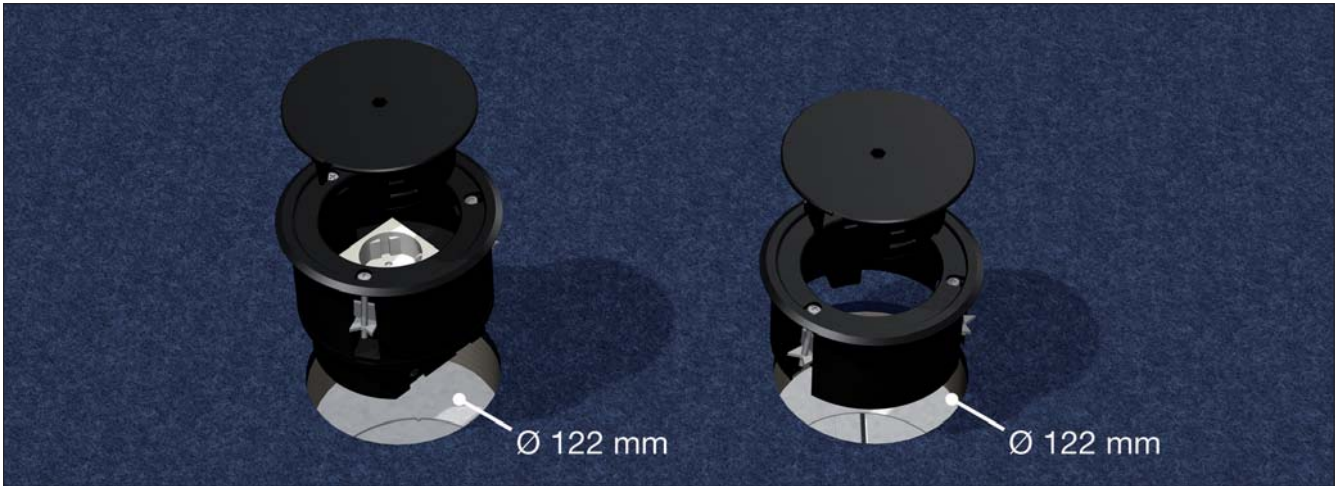


Mounting

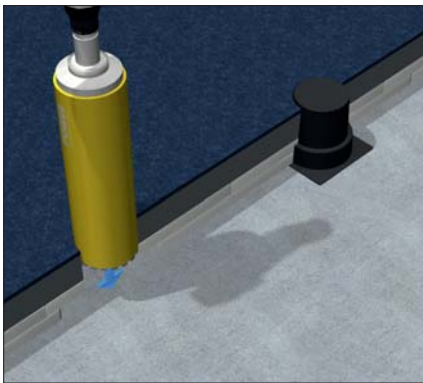
Insert straight or angle plug and bring out cables through cable outlet. Screw tube collet and tube cover tightly.

SINGLE OUTLET BODO, DRY MAINTENANCE FLOORS

ASSEMBLY INSTRUCTIONS

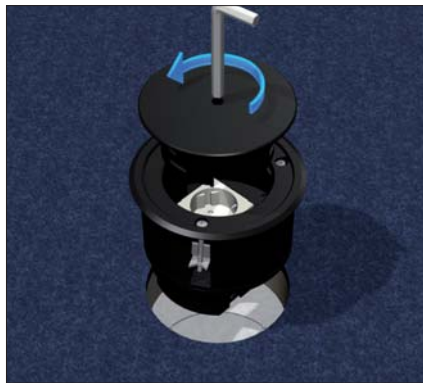


Round single outlet with protection frame made of synthetic material with an outside diameter of 133mm, equipped with an isolated ground receptacle or inspection chamber. For the installation into screed or raised floors. Other equipment options are available.



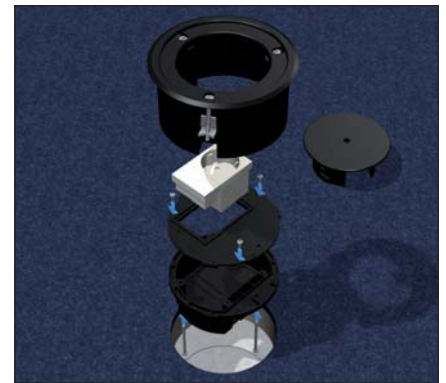
Raised/hollow floors

Creating a floor opening in screed or raised floor by means of shattering or drill bit.



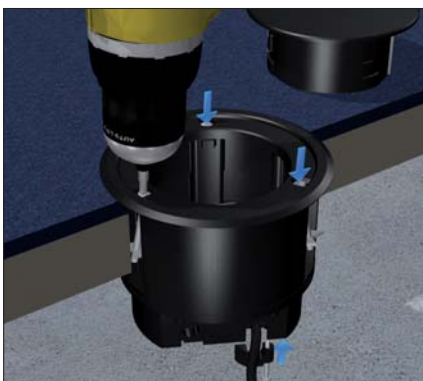
Cable outlet cover

Open cable outlet cover with torx wrench (must be ordered separately) counter clock-wise by pulling it out.



Assembly of receptacle

In order to connect, disassemble the pre-converted single outlet, insert cable and connect to receptacle. Then assemble cover plate, receptacle and device cup.



Fasten strain relief and frame

Insert the strain relieves from below and secure cable. Tighten claws with Phillips head screws.



Cable outlet

Place plug and insert cable outlet lid counter clockwise with bayonet locking device.



Mounting

Lead the cable from an angular or straight plug through the cable outlet.

INSTALLATION UNITS FOR SCREED AND HOLLOW FLOORS

SINGLE OUTLET BODO, ROUND, WET-MAINTAINED



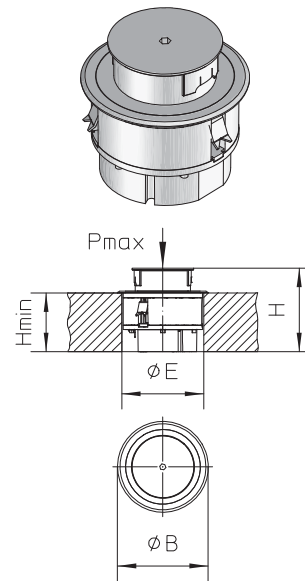
BODO N Single outlet with floor box and data module, wet-maintenance, round

Round single outlet made of aluminium with floor cover protection frame equipped with a socket and a data module for rooms with wet-maintenance floors.

	H mm	Hmin mm	B mm	E mm	Pmax kN	colour	IPn	IPg	G kg
E									
BODO N-E	122	87	133	122	15	Stainless steel	IP 66	IP 43	2,06
AL									
BODO N	122	87	133	122	15	aluminum	IP 66	IP 43	0,74
BODO N-MS	122	87	133	122	15	brass	IP 66	IP 43	0,74
BODO N-SW	122	87	133	122	15	black	IP 66	IP 43	0,74

included:

- 1 x UET80-R-WD tube for wet maintenance
- 1 x UETD80-R-WD tube cover
- 1 x UDAE22-CAT6 8 data systems installation device single
- 1 x UST45-W 1 shockproof socket single
- 1 x UTG 75 device separation plate
- 1 x UARM-3-1 118 Cover plate for 3x UDAE22
- 1 x UG-R device installation cup, round
- 2 x UGM1-3 rubber sleeve
- 1 x UWZ-IS 8 Allen wrench



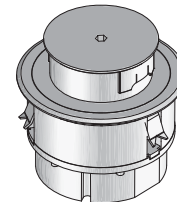
BODO N3 Single-outlet with floor socket outlet, wet maintenance, round

Round single outlet made of aluminium with a floor protection frame equipped with a floor socket for rooms with wet-maintenance floors.

	H mm	Hmin mm	B mm	E mm	Pmax kN	colour	IPn	IPg	G kg
E									
BODO N3-E	122	87	133	122	15	Stainless steel	IP 66	IP 43	2,00
AL									
BODO N3	122	87	133	122	15	aluminum	IP 66	IP 43	0,74
BODO N3-MS	122	87	133	122	15	brass	IP 66	IP 43	0,74
BODO N3-SW	122	87	133	122	15	black	IP 66	IP 43	0,74

included:

- 1 x UET80-R-WD tube for wet maintenance
- 1 x UETD80-R-WD tube cover
- 1 x UST45-W 1 shockproof socket single
- 1 x UTG 75 device separation plate
- 1 x UARM-3-1 118 Cover plate for 3x UDAE22
- 1 x UG-R device installation cup, round
- 2 x UGM1-3 rubber sleeve
- 1 x UDA22-KS 1 Data cover, Keystone
- 1 x UWZ-IS 8 Allen wrench



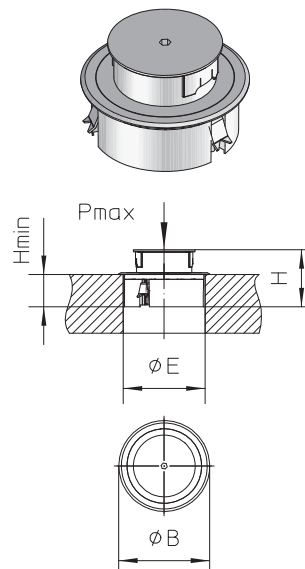
BODO NL Single-outlet, wet maintenance, round, empty

Round single outlet made of aluminium with floor cover protection frame for rooms with wet-maintenance floors.

	H mm	Hmin mm	B mm	E mm	Pmax kN	colour	IPn	IPg	G kg
E									
BODO NL-E	83	48	133	122	15	Stainless steel	IP 66	IP 43	1,32
AL									
BODO NL	83	48	133	122	15	aluminum	IP 66	IP 43	0,48
BODO NL-MS	83	48	133	122	15	brass	IP 66	IP 43	0,48
BODO NL-SW	83	48	133	122	15	black	IP 66	IP 43	0,48

included:

- 1 x UET80-R-WD tube for wet maintenance
- 1 x UETD80-R-WD tube cover
- 2 x UGM1-3 rubber sleeve
- 1 x UWZ-IS 8 Allen wrench



INSTALLATION UNITS FOR SCREED AND HOLLOW FLOORS

SINGLE OUTLET BODO, ROUND, DRY-MAINTAINED

BODO T Single-outlet with floor socket outlet, dry maintenance, round

Round plastic single outlet with floor cover protection frame equipped with a floor socket for rooms with dry-maintenance floors.

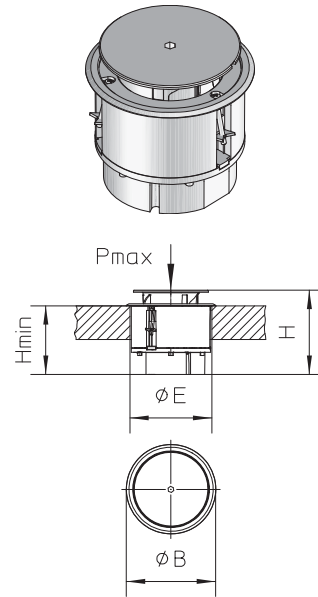
	H mm	Hmin mm	B mm	E mm	Pmax kN	colour	IPn	IPg	G kg
BODO T-G	126	102	133	122	1,5	RAL 7011	IP 30	IP 20	0,40
BODO T-S	126	102	133	122	1,5	RAL 9011	IP 30	IP 20	0,40

included:

- 1 x UAA-B 22 cover
- 1 x UST45-W 1 shockproof socket single
- 1 x UARM-3-1 118 Cover plate for 3x UDAE22
- 1 x UG-R device installation cup, round

optional:

- USK R122 shuttering round
- UBDHB 122R Hollow-space floor box, single, round
- UWZ IS Allen wrench



BODO TL Single-outlet, dry maintenance, round, empty

Round plastic single outlet with a floor cover protection frame for rooms with dry-maintenance floors.

	H mm	Hmin mm	B mm	E mm	Pmax kN	colour	IPn	IPg	G kg
BODO TL-G	87	63	133	122	1,5	RAL 7011	IP 30	IP 20	0,20
BODO TL-S	87	63	133	122	1,5	RAL 9011	IP 30	IP 20	0,20

optional:

- UG R device installation cup, round
- UTG 75 device separation plate
- UARM-2-1 Cover plate for 2x UDAE22
- UARM-3-1 Cover plate for 3x UDAE22
- USK R122 shuttering round
- UBDHB 122R Hollow-space floor box, single, round
- UWZ IS Allen wrench

