

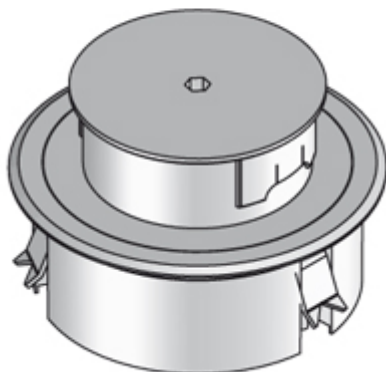


BODO NL

Single-outlet, wet maintenance, round, empty

Round single outlet with floor cover protection frame. Including pivotable tube, turnable cable outlet, cover, claw set and rubber seal. For the installation in screed and raised floor openings or in hollow floor openings. Suitable for rooms with dry and wet maintenance floor covers. Designed for high traffic loads.

Please mind the technical information in chapter planning.



material	Tube, cover and tube collet: aluminium or stainless steel / frame: plastic material
type of assembly	Fixing on floor box UBDHB / rough concrete floor and installation in screed or false floor
application area	wet floor cleaning
norm	acc. to DIN EN 50085
permits	according to VDE / TÜV
protection class	in use IP 22 / in use with rubber sleeve UGM1-3 IP 43 / not in use IP 66
loading	including inspection stamp Ø 130 mm: 15 kN

Aluminium

Product	Minimum height	Minimum installation height	width	fitting dimension	Maximum load	colour	weight	IP protection level in used condition	IP protection level in unused condition
BODO NL	83 mm	48 mm	140 mm	122 mm	15 kN	aluminium	0.48 kg	IP 43	IP 66
BODO NL-CR	83 mm	48 mm	140 mm	122 mm	15 kN	chromed aluminium	0.48 kg	IP 43	IP 66
BODO NL-CU	83 mm	48 mm	140 mm	122 mm	15 kN	copper	0.48 kg	IP 43	IP 66



PRODUCT INFORMATION



Stainless steel, according to ASTM 304 / BS 304 S 3

Product	height	Minimum installation height	width	fitting dimension	Maximum load	colour	weight	IP protection level in used condition	IP protection level in unused condition
BODO NL-E	83 mm	48 mm	140 mm	122 mm	15 kN	Stainless steel	1.32 kg	IP 43	IP 66

Aluminium

Product	height	Minimum installation height	width	fitting dimension	Maximum load	colour	weight	IP protection level in used condition	IP protection level in unused condition
BODO NL-GO	83 mm	48 mm	140 mm	122 mm	15 kN	Gold	0.48 kg	IP 43	IP 66
BODO NL-MS	83 mm	48 mm	140 mm	122 mm	15 kN	brass	0.48 kg	IP 43	IP 66

Brass

Product	height	Minimum installation height	width	fitting dimension	Maximum load	colour	weight	IP protection level in used condition	IP protection level in unused condition
BODO NL-MMS	83 mm	48 mm	140 mm	122 mm	15 kN	solid brass	0.48 kg	IP 43	IP 66

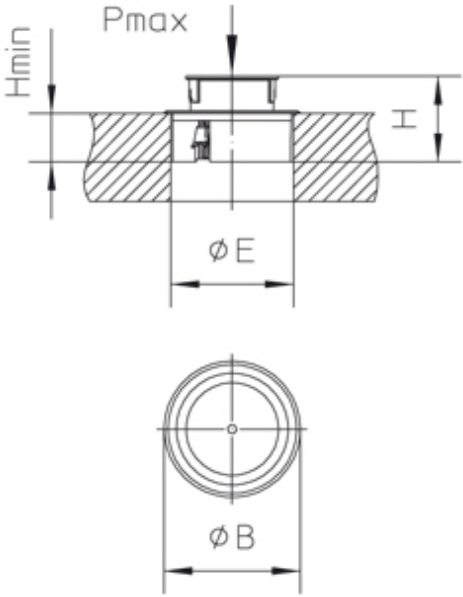
Aluminium

Product	height	Minimum installation height	width	fitting dimension	Maximum load	colour	weight	IP protection level in used condition	IP protection level in unused condition
BODO NL-SW	83 mm	48 mm	140 mm	122 mm	15 kN	black	0.48 kg	IP 43	IP 66
BODO NL-TI	83 mm	48 mm	140 mm	122 mm	15 kN	Titan	0.48 kg	IP 43	IP 66





DETAILS / APPLICATIONS



wet maintenance

