



# Screed flush duct systems

Screed flush duct	<a href="#">A04-A16</a>
Heavy-duty floor duct	<a href="#">A18-A21</a>



# Numeric index

## Screed flush duct systems

### B

**BSS** Flat head tapping screw [A16](#)

---

### L

**LKS** Lens head screw [A16](#)

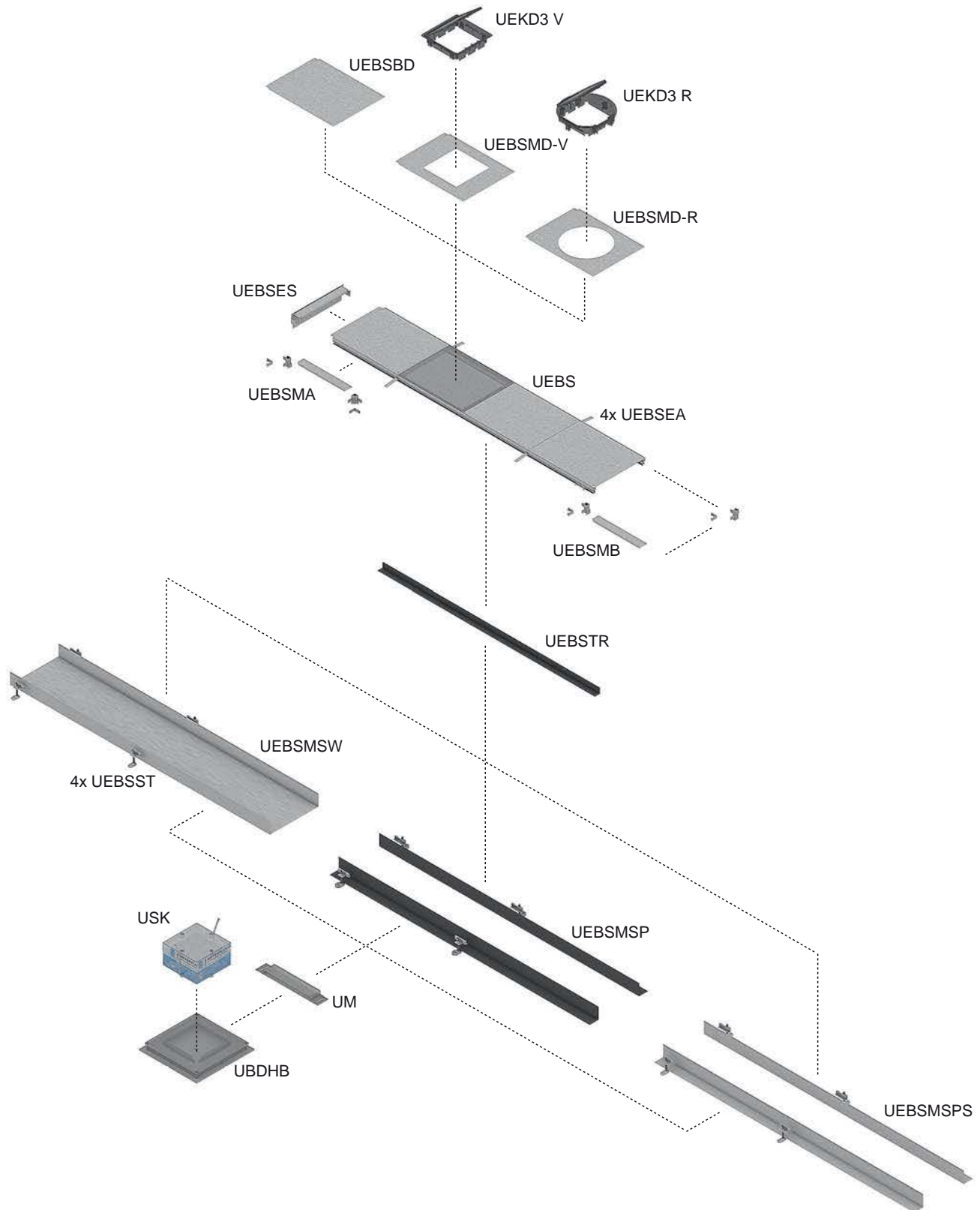
---

### U

**UBDSL**F levelling support [A14](#)  
**UBK** bottom piece [A18](#)  
**UBKAB** outward profile bend [A20](#)  
**UBKD** dummy cover [A18](#)  
**UBKDB** spacer [A21](#)  
**UBKEB** end piece [A20](#)  
**UBKIB** inward profile bend [A20](#)  
**UBKPR** side profile [A19](#)  
**UBKPRV** coupler [A21](#)  
**UBKPRVE** coupler [A21](#)  
**UBKTR** barrier strip [A21](#)  
**UBKV** coupler [A21](#)  
**UEBS** screed flush duct, 1 compartment [A04](#)  
**UEBSAM60 R** Attachment part screed flush duct [A10](#)  
**UEBSAM60 V** Attachment part screed flush duct [A11](#)  
**UEBSBD** dummy cartridge, quadrangular [A08](#)  
**UEBSBMD 185V** Assembly cover, blank, quadrangular [A06](#)  
**UEBSBMD 260R** Assembly cover, blank, round [A05](#)  
**UEBSBMD 260V** Assembly cover, blank, quadrangular [A06](#)  
**UEBSBMD 307R** Assembly cover, blank, round [A06](#)  
**UEBSD** dummy cover [A14](#)  
**UEBSE** earthing connector [A13](#)  
**UEBSEA** screed anchor [A15](#)  
**UEBSEL** Earthing lug set [A13](#)  
**UEBSES** end piece [A11](#)  
**UEBSESK** End piece, cartridge [A12](#)  
**UEBSMA** mounting Kit T-branch [A09](#)  
**UEBSMB** mounting Kit 90° bend [A09](#)  
**UEBSMD 122R** Assembly cover, round [A04](#)  
**UEBSMD 185V** Assembly cover, quadrangular [A05](#)  
**UEBSMD 260R** Assembly cover, round [A05](#)  
**UEBSMD 260V** Assembly cover, quadrangular [A05](#)  
**UEBSMD 307R** Assembly cover, round [A05](#)  
**UEBSMSP** Plastic side panels [A06](#)  
**UEBSMSP S** Steel sheet side panels [A07](#)  
**UEBSMSW** Floor tub [A07](#)  
**UEBSPGD** Rubber sealing [A16](#)  
**UEBSPT AL** carpet flange with hem 0/3 mm [A14](#)  
**UEBSPT E** Cartridge edge [A08](#)  
**UEBSQT** transverse cross bar [A15](#)  
**UEBSQT S** transverse cross bar [A15](#)  
**UEBSQTF** transverse cross bar [A15](#)  
**UEBSST** levelling support [A07](#)  
**UEBSTR** barrier strip [A15](#)  
**UEBSV** Corner connector [A13](#)  
**UEBSV S** coupler [A13](#)  
**UEBSVE S** Corner connector [A13](#)  
**UEBSVMB S** Corner connection sheet steel [A13](#)  
**UGM SLF** Subsonic noise sleeve socket - levelling support [A14](#)

# System overview

## Screed flush duct systems



A

# Screed flush duct systems

## Screed flush duct

### UEBS screed flush duct, 1 compartment

Screed-flush duct system consisting of 1x duct UEBS, 2x side panels UEBSMSP, respectively 1x tub UEBSMSW and 4x levelling units UEBSST.

For assembly instructions, see the chapter assembly.

article number	$H_{min}$ mm	N mm	B mm	L mm	E mm	t mm	$P_{max}$ kN	$IP_n$	G kg
<b>S</b>									
<b>UEBS 20S</b>	60	+90	200	2000	400	1,5	2	IP 30	15,14

accessories included:

2 x <b>UEBSPT-3 AL</b>	carpet flange with hem 0/3 mm	(page A14)
1 x <b>UEBSE</b>	earthing connector	(page A13)
4 x <b>UEBSEA</b>	screed anchor	(page A15)
4 x <b>UEBSD 20S</b>	dummy cover	(page A14)

article number	$H_{min}$ mm	N mm	B mm	L mm	E mm	t mm	$P_{max}$ kN	$IP_n$	G kg
<b>S</b>									
<b>UEBS 30S</b>	60	+90	300	2000	500	1,5	2	IP 30	20,30

accessories included:

2 x <b>UEBSPT-3 AL</b>	carpet flange with hem 0/3 mm	(page A14)
1 x <b>UEBSE</b>	earthing connector	(page A13)
4 x <b>UEBSEA</b>	screed anchor	(page A15)
4 x <b>UEBSD 30S</b>	dummy cover	(page A14)

article number	$H_{min}$ mm	N mm	B mm	L mm	E mm	t mm	$P_{max}$ kN	$IP_n$	G kg
<b>S</b>									
<b>UEBS 40S</b>	60	+90	400	2000	600	1,5	2	IP 30	25,46

accessories included:

2 x <b>UEBSPT-3 AL</b>	carpet flange with hem 0/3 mm	(page A14)
1 x <b>UEBSE</b>	earthing connector	(page A13)
4 x <b>UEBSEA</b>	screed anchor	(page A15)
4 x <b>UEBSD 40S</b>	dummy cover	(page A14)

article number	$H_{min}$ mm	N mm	B mm	L mm	E mm	t mm	$P_{max}$ kN	$IP_n$	G kg
<b>S</b>									
<b>UEBS_50S</b>	60	+90	500	2000	700	1,5	2	IP 30	30,86

accessories included:

2 x <b>UEBSPT-3 AL</b>	carpet flange with hem 0/3 mm	(page A14)
1 x <b>UEBSE</b>	earthing connector	(page A13)
4 x <b>UEBSEA</b>	screed anchor	(page A15)
4 x <b>UEBSD 50S</b>	dummy cover	(page A14)

accessories optional:

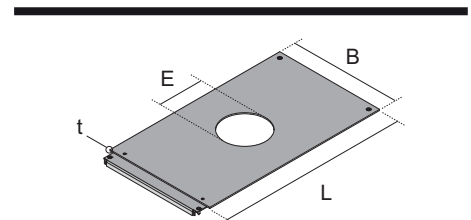
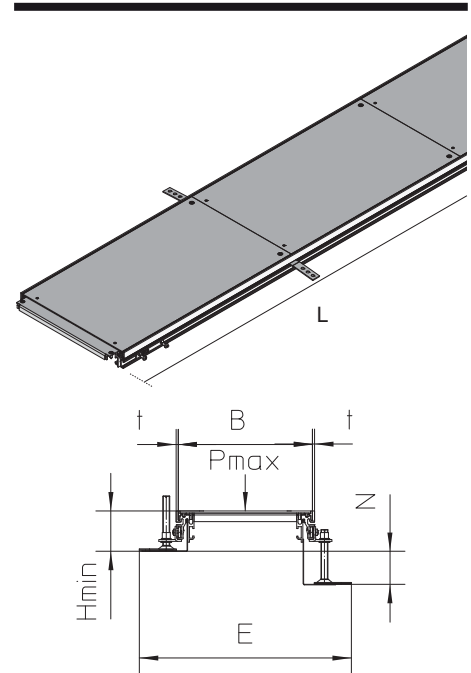
<b>UEBSMSP</b>	Plastic side panels	(page A06)
<b>UEBSQT S</b>	transverse cross bar	(page A15)
<b>UEBSQTF</b>	transverse cross bar	(page A15)
<b>UEBSMSP S</b>	Steel sheet side panels	(page A07)
<b>UEBSQT</b>	transverse cross bar	(page A15)
<b>UEBSMSW</b>	Floor tub	(page A07)
<b>UEBSST</b>	levelling support	(page A07)

### UEBSMD 122R Assembly cover, round

article number	B mm	L mm	E mm	t mm	G kg
<b>S</b>					
<b>UEBSMD-122R 20S</b>	200	500	122	3	2,21
<b>UEBSMD-122R 30S</b>	300	500	122	3	3,50
<b>UEBSMD-122R 40S</b>	400	500	122	3	4,78

accessories included:

2 x <b>BSS 4.8x16</b>	Flat head tapping screw	(page A16, D51)
-----------------------	-------------------------	-----------------



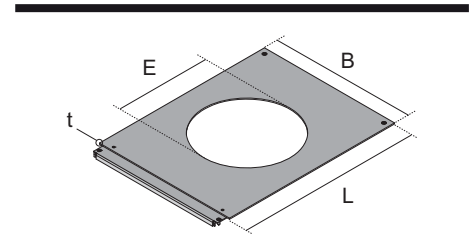
# Screed flush duct systems

## Screed flush duct

### UEBSMD 260R Assembly cover, round

article number	B mm	L mm	E mm	t mm	G kg
<b>S</b>					
<b>UEBSMD-260R 40S</b>	400	500	260	3	3,81

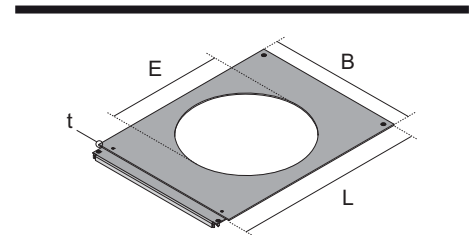
accessories included:  
2 x **BSS 4.8x16** Flat head tapping screw (page A16, D51)



### UEBSMD 307R Assembly cover, round

article number	B mm	L mm	E mm	t mm	G kg
<b>S</b>					
<b>UEBSMD-307R 40S</b>	400	500	307	3	3,32
<b>UEBSMD-307R 50S</b>	500	500	307	3	4,66

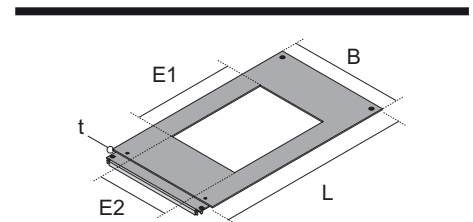
accessories included:  
2 x **BSS 4.8x16** Flat head tapping screw (page A16, D51)



### UEBSMD 185V Assembly cover, quadrangular

article number	B mm	L mm	E1 mm	E2 mm	t mm	G kg
<b>S</b>						
<b>UEBSMD-185V 30S</b>	300	500	261	186	3	2,63
<b>UEBSMD-185V 40S</b>	400	500	261	186	3	3,92

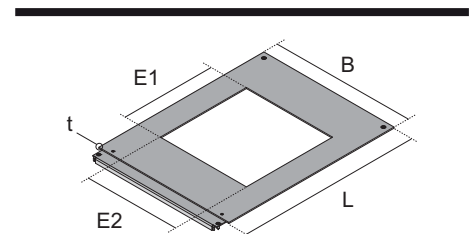
accessories included:  
2 x **BSS 4.8x16** Flat head tapping screw (page A16, D51)



### UEBSMD 260V Assembly cover, quadrangular

article number	B mm	L mm	E1 mm	E2 mm	t mm	G kg
<b>S</b>						
<b>UEBSMD-260V 40S</b>	400	500	261	261	3	2,63
<b>UEBSMD-260V 50S</b>	500	500	261	261	3	4,79

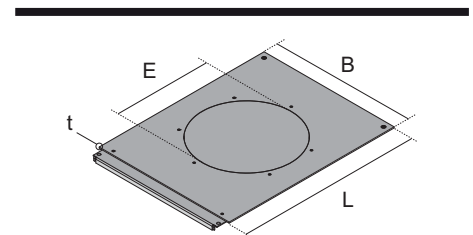
accessories included:  
2 x **BSS 4.8x16** Flat head tapping screw (page A16, D51)



### UEBSBMD 260R Assembly cover, blank, round

article number	B mm	L mm	E mm	t mm	G kg
<b>S</b>					
<b>UEBSBMD-260R 40S</b>	400	500	260	3	5,23

accessories included:  
2 x **BSS 4.8x16** Flat head tapping screw (page A16, D51)



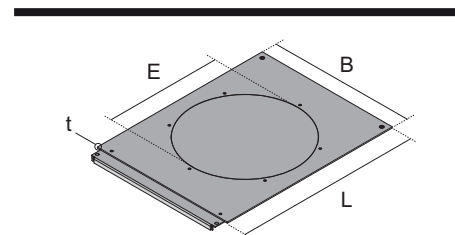
# Screed flush duct systems

## Screed flush duct

### UEBSBMD 307R Assembly cover, blank, round

article number	B mm	L mm	E mm	t mm	G kg
<b>S</b>					
<b>UEBSBMD-307R 40S</b>	400	500	307	3	5,23
<b>UEBSBMD-307R 50S</b>	500	500	307	3	6,58

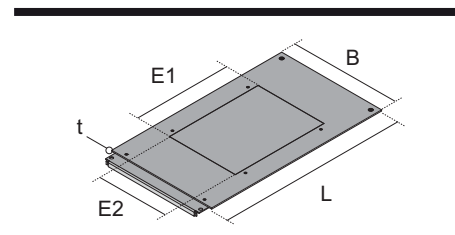
accessories included:  
2 x **BSS 4.8x16** Flat head tapping screw (page A16, D51)



### UEBSBMD 185V Assembly cover, blank, quadrangular

article number	B mm	L mm	E1 mm	E2 mm	t mm	G kg
<b>S</b>						
<b>UEBSBMD-185V 30S</b>	300	500	261	186	3	4,03
<b>UEBSBMD-185V 40S</b>	400	500	261	186	3	5,32

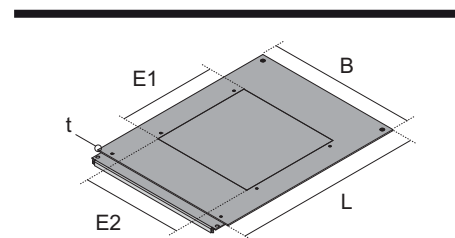
accessories included:  
2 x **BSS 4.8x16** Flat head tapping screw (page A16, D51)



### UEBSBMD 260V Assembly cover, blank, quadrangular

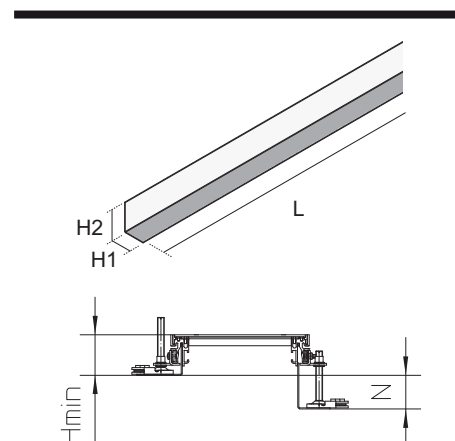
article number	B mm	L mm	E1 mm	E2 mm	t mm	G kg
<b>S</b>						
<b>UEBSBMD-260V 40S</b>	400	500	261	261	3	5,32
<b>UEBSBMD-260V 50S</b>	500	500	261	261	3	6,67

accessories included:  
2 x **BSS 4.8x16** Flat head tapping screw (page A16, D51)



### UEBSMSP Plastic side panels

article number	H1 mm	H2 mm	H <sub>min</sub> mm	N mm	L mm	G kg
<b>PA</b>						
<b>UEBSMSP 60</b>	48	68	60	+ 50	2000	1,00
<b>UEBSMSP 100</b>	88	108	100	+ 50	2000	1,02

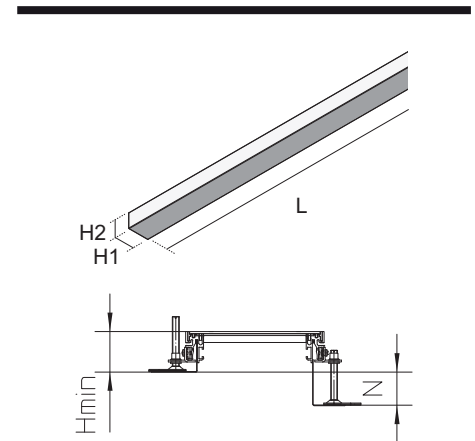


# Screed flush duct systems

## Screed flush duct

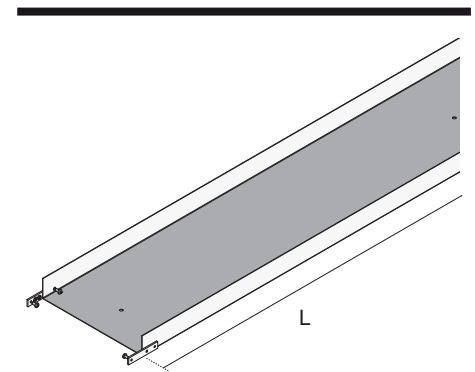
### UEBSMSP S Steel sheet side panels

article number	H1 mm	H2 mm	H <sub>min</sub> mm	N mm	L mm	G kg
<b>S</b>						
<b>UEBSMSP 60S</b>	48	68	60	+ 50	2000	1,35
<b>UEBSMSP 100S</b>	88	108	100	+ 50	2000	1,29



### UEBSMSW Floor tub

article number	H <sub>min</sub> mm	N mm	B mm	L mm	G kg
<b>S</b>					
<b>UEBSMSW 60-20S</b>	60	+ 30	200	2000	4,28
<b>UEBSMSW 60-30S</b>	60	+ 30	300	2000	5,85
<b>UEBSMSW 60-40S</b>	60	+ 30	400	2000	7,42
<b>UEBSMSW 60-50S</b>	60	+ 30	500	2000	8,99
<b>UEBSMSW 80-20S</b>	80	+ 30	200	2000	4,91
<b>UEBSMSW 80-30S</b>	80	+ 30	300	2000	6,48
<b>UEBSMSW 80-40S</b>	80	+ 30	400	2000	8,05
<b>UEBSMSW 80-50S</b>	80	+ 30	500	2000	9,62
<b>UEBSMSW 100-20S</b>	100	+ 30	200	2000	5,54
<b>UEBSMSW 100-30S</b>	100	+ 30	300	2000	7,11
<b>UEBSMSW 100-40S</b>	100	+ 30	400	2000	8,68
<b>UEBSMSW 100-50S</b>	100	+ 30	500	2000	10,25
<b>UEBSMSW 120-20S</b>	120	+ 30	200	2000	6,17
<b>UEBSMSW 120-30S</b>	120	+ 30	300	2000	7,74
<b>UEBSMSW 120-40S</b>	120	+ 30	400	2000	9,31
<b>UEBSMSW 120-50S</b>	120	+ 30	500	2000	10,87



### UEBSST levelling support

article number	H <sub>min</sub> mm	N mm	G kg
<b>S</b>			
<b>UEBSST 80S</b>	60	+ 50	0,18

accessories included:

2 x <b>LKS M5x10</b>	Lens head screw	(page A16)
1 x <b>UBDSLFL 80</b>	levelling support	(page A14, C41)
1 x <b>UEBSV S</b>	coupler	(page A13)

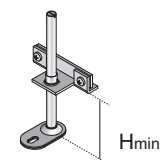
article number	H <sub>min</sub> mm	N mm	G kg
<b>S</b>			
<b>UEBSST 150S</b>	100	+ 50	0,20

accessories included:

2 x <b>LKS M5x10</b>	Lens head screw	(page A16)
1 x <b>UBDSLFL 150</b>	levelling support	(page A14, C41)
1 x <b>UEBSV S</b>	coupler	(page A13)

accessories optional:

<b>UGM SLF</b>	Subsonic noise sleeve socket - levelling support	(page A14, C41)
----------------	--	-----------------



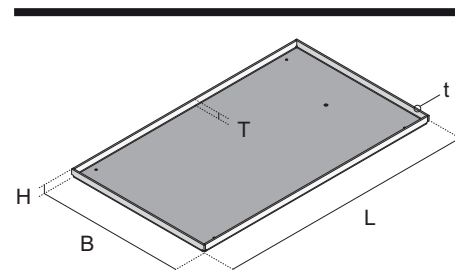


# Screed flush duct systems

## Screed flush duct

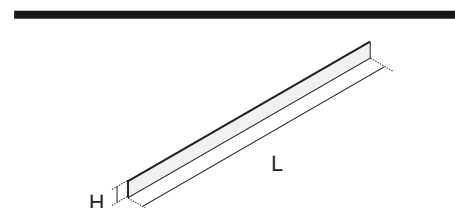
### UEBSBD dummy cartridge, quadrangular

article number	H mm	B mm	L mm	t mm	T mm	G kg
<b>E</b>						
UEBSBD 15-20E	15	200	500	3	12	2,68
UEBSBD 15-30E	15	300	500	3	12	3,92
UEBSBD 15-40E	15	400	500	3	12	5,16
UEBSBD 15-50E	15	500	500	3	12	6,39
UEBSBD 25-20E	25	200	500	3	22	3,00
UEBSBD 25-30E	25	300	500	3	22	4,29
UEBSBD 25-40E	25	400	500	3	22	5,58
UEBSBD 25-50E	25	500	500	3	22	6,86



### UEBSPT E Cartridge edge

article number	H mm	L mm	G kg
<b>E</b>			
UEBSPT-15 E	26	2000	0,84
UEBSPT-25 E	36	2000	1,15



# Screed flush duct systems

## Screed flush duct | Mounting kit

### UEBSMA mounting Kit T-branch

article number G  
kg

**S**  
**UEBSMA 20S** 0,34

accessories included:

- 1 x **UEBSQT 20S** transverse cross bar (page A15)
- 2 x **UEBSVE S** Corner connector (page A13)
- 2 x **UEBSV** Corner connector (page A13)

article number G  
kg

**S**  
**UEBSMA 30S** 0,45

accessories included:

- 1 x **UEBSQT 30S** transverse cross bar (page A15)
- 2 x **UEBSVE S** Corner connector (page A13)
- 2 x **UEBSV** Corner connector (page A13)

article number G  
kg

**S**  
**UEBSMA 40S** 0,56

accessories included:

- 1 x **UEBSQT 40S** transverse cross bar (page A15)
- 2 x **UEBSVE S** Corner connector (page A13)
- 2 x **UEBSV** Corner connector (page A13)

article number G  
kg

**S**  
**UEBSMA 50S** 0,73

accessories included:

- 1 x **UEBSQTF 50S** transverse cross bar (page A15)
- 2 x **UEBSVE S** Corner connector (page A13)
- 2 x **UEBSV** Corner connector (page A13)

### UEBSMB mounting Kit 90° bend

article number G  
kg

**S**  
**UEBSMB 20S** 0,34

accessories included:

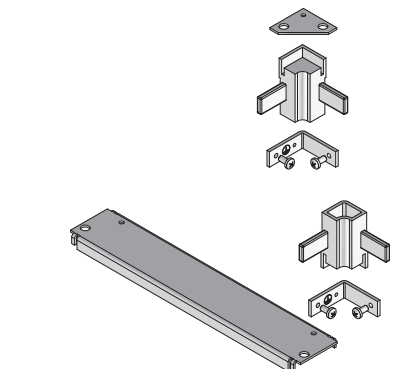
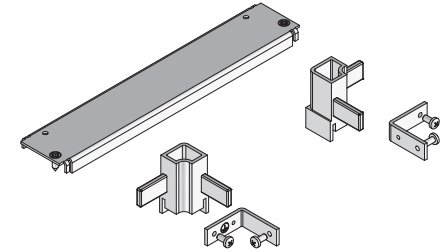
- 1 x **UEBSQT 20S** transverse cross bar (page A15)
- 1 x **UEBSVMB S** Corner connection sheet steel (page A13)
- 2 x **UEBSVE S** Corner connector (page A13)
- 2 x **UEBSV** Corner connector (page A13)

article number G  
kg

**S**  
**UEBSMB 30S** 0,45

accessories included:

- 1 x **UEBSQT 30S** transverse cross bar (page A15)
- 1 x **UEBSVMB S** Corner connection sheet steel (page A13)
- 2 x **UEBSVE S** Corner connector (page A13)
- 2 x **UEBSV** Corner connector (page A13)



# Screed flush duct systems

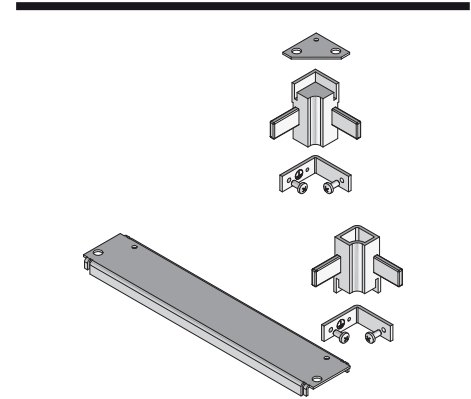
## Screed flush duct | Mounting kit

### UEBSMB mounting Kit 90° bend

article number	G
	kg
<b>S</b>	
<b>UEBSMB 40S</b>	0,56

accessories included:

1 x <b>UEBSQT 40S</b>	transverse cross bar	(page A15)
1 x <b>UEBSVMB S</b>	Corner connection sheet steel	(page A13)
2 x <b>UEBSVE S</b>	Corner connector	(page A13)
2 x <b>UEBSV</b>	Corner connector	(page A13)



article number	G
	kg
<b>S</b>	
<b>UEBSMB 50S</b>	0,73

accessories included:

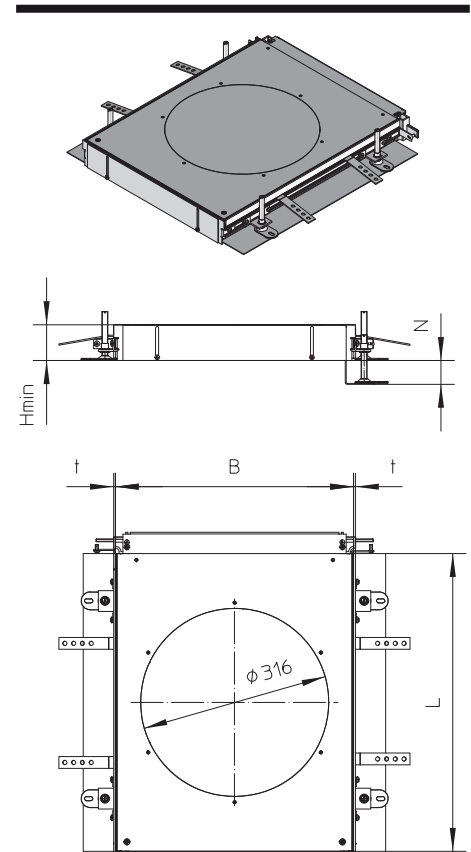
1 x <b>UEBSQTF 50S</b>	transverse cross bar	(page A15)
1 x <b>UEBSVMB S</b>	Corner connection sheet steel	(page A13)
2 x <b>UEBSV</b>	Corner connector	(page A13)
2 x <b>UEBSVE S</b>	Corner connector	(page A13)

### UEBSAM60 R Attachment part screed flush duct

article number	H <sub>min</sub>	N	B	L	E	t	G
	mm	mm	mm	mm	mm	mm	kg
<b>S</b>							
<b>UEBSAM60-307R 40S</b>	60	+50	400	500	316	3	9,013

accessories included:

2 x <b>UEBSVE S</b>	Corner connector	(page A13)
4 x <b>UEBSST 80S</b>	levelling support	(page A07)
2 x <b>UEBSPT-3 AL</b>	carpet flange with hem 0/3 mm	(page A14)
1 x <b>UEBSES 60-40S</b>	end piece	(page A11)
4 x <b>UEBSEA</b>	screed anchor	(page A15)
1 x <b>UEBSBMD-307R 40S</b>	Assembly cover, blank, round	(page A06)
2 x <b>UEBSMSP 60</b>	Plastic side panels	(page A06)
2 x <b>UEBSV-50</b>	Corner connector	(page A13)



# Screed flush duct systems

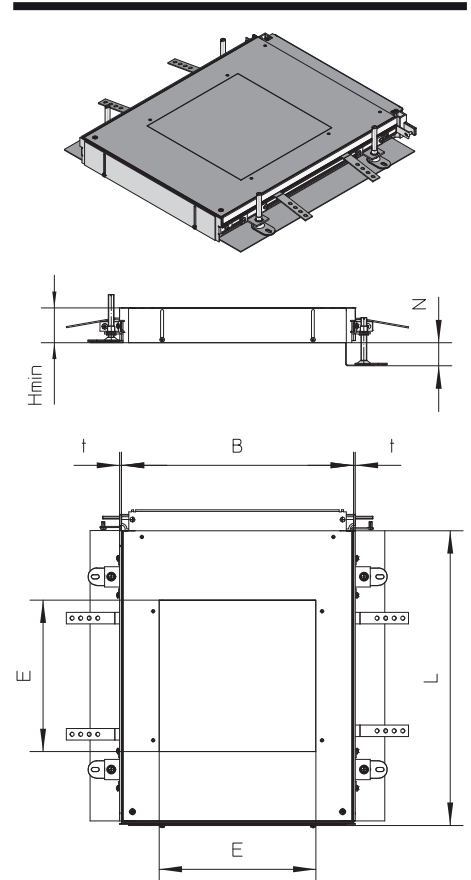
## Screed flush duct | Mounting kit

### UEBSAM60 V Attachment part screed flush duct

article number	H <sub>min</sub> mm	N mm	B mm	L mm	E mm	t mm	G kg
<b>S</b>							
<b>UEBSAM60-260V 40S</b>	60	+ 50	400	500	261x270	3	9,104

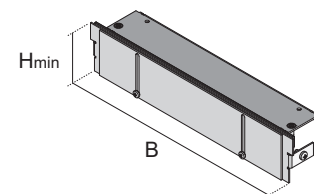
accessories included:

2 x <b>UEBSVE S</b>	Corner connector	(page A13)
4 x <b>UEBSST 80S</b>	levelling support	(page A07)
2 x <b>UEBSPT-3 AL</b>	carpet flange with hem 0/3 mm	(page A14)
1 x <b>UEBSES 60-40S</b>	end piece	(page A11)
4 x <b>UEBSEA</b>	screed anchor	(page A15)
1 x <b>UEBSBMD-260V 40S</b>	Assembly cover, blank, quadrangular	(page A06)
2 x <b>UEBSMSP 60</b>	Plastic side panels	(page A06)
2 x <b>UEBSV-50</b>	Corner connector	(page A13)



### UEBSES end piece

article number	H <sub>min</sub> mm	N mm	B mm	G kg
<b>S</b>				
<b>UEBSES 60-20S</b>	60	+ 50	200	0,53
<b>UEBSES 60-30S</b>	60	+ 50	300	0,92
<b>UEBSES 60-40S</b>	60	+ 50	400	1,11
<b>UEBSES 60-50S</b>	60	+ 50	500	1,66
<b>UEBSES 100-20S</b>	100	+ 50	200	0,64
<b>UEBSES 100-30S</b>	100	+ 50	300	0,99
<b>UEBSES 100-40S</b>	100	+ 50	400	1,34
<b>UEBSES 100-50S</b>	100	+ 50	500	1,96

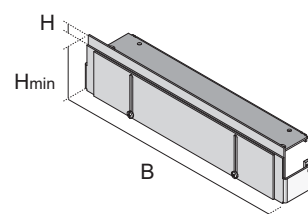


# Screed flush duct systems

## Screed flush duct | Mounting kit

### UEBSESK End piece, cartridge

article number	H mm	H <sub>min</sub> mm	N mm	B mm	G kg
<b>S</b>					
<b>UEBSESK15 60-20S</b>	12	60	+ 50	200	0,57
<b>UEBSESK15 60-30S</b>	12	60	+ 50	300	0,88
<b>UEBSESK15 60-40S</b>	12	60	+ 50	400	1,18
<b>UEBSESK15 60-50S</b>	12	60	+ 50	500	1,38
<b>UEBSESK15 100-20S</b>	12	100	+ 50	200	0,68
<b>UEBSESK15 100-30S</b>	12	100	+ 50	300	1,05
<b>UEBSESK15 100-40S</b>	12	100	+ 50	400	1,42
<b>UEBSESK15 100-50S</b>	12	100	+ 50	500	1,68
<b>UEBSESK25 60-20S</b>	22	60	+ 50	200	0,60
<b>UEBSESK25 60-30S</b>	22	60	+ 50	300	0,93
<b>UEBSESK25 60-40S</b>	22	60	+ 50	400	1,25
<b>UEBSESK25 60-50S</b>	22	60	+ 50	500	1,46
<b>UEBSESK25 100-20S</b>	22	100	+ 50	200	0,71
<b>UEBSESK25 100-30S</b>	22	100	+ 50	300	1,21
<b>UEBSESK25 100-40S</b>	22	100	+ 50	400	1,49
<b>UEBSESK25 100-50S</b>	22	100	+ 50	500	1,76



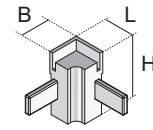
# Screed flush duct systems

## Screed flush duct | Accessories

### UEBSV Corner connector

Corner connector made of plastic material for inside and outside

article number	H mm	B mm	L mm	G kg
<b>PA</b>				
<b>UEBSV</b>	57	28	28	0,03
<b>UEBSV-50</b>	50	28	28	0,02

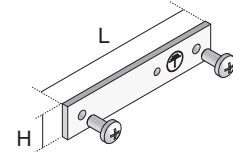


### UEBSV S coupler

article number	H mm	L mm	G kg
<b>S</b>			
<b>UEBSV S</b>	16	80	0,04

accessories included:

2 x **LKS M5x10** Lens head screw (page A16)

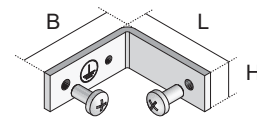


### UEBSVE S Corner connector

article number	H mm	B mm	L mm	G kg
<b>S</b>				
<b>UEBSVE S</b>	16	43	43	0,04

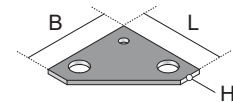
accessories included:

2 x **LKS M5x10** Lens head screw (page A16)



### UEBSVMB S Corner connection sheet steel

article number	H mm	B mm	L mm	G kg
<b>S</b>				
<b>UEBSVMB S</b>	2	40	40	0,02



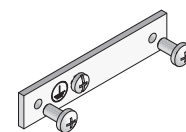
### UEBSE earthing connector

article number	G kg
<b>S</b>	
<b>UEBSE</b>	0,04

accessories included:

2 x **LKS M5x10** Lens head screw (page A16)

1 x **LKS M4x5** Lens head screw (page A16)



### UEBSEL Earthing lug set

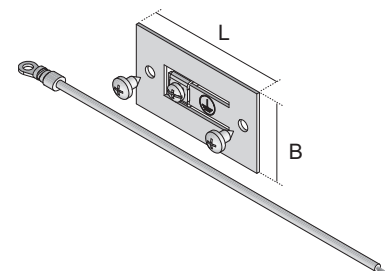
article number	B mm	L mm	G kg
<b>S</b>			
<b>UEBSEL</b>	40	70	0,05

accessories included:

2 x **BLS 4.8x9.5** tapping screw (page D51)

1 x **LKS M4x12** Lens head screw (page A16)

1 x **UVA-GB-2.5-30** grounding line (page C39)

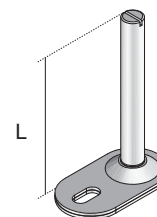


# Screed flush duct systems

## Screed flush duct | Accessories

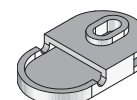
### UBDSLFL levelling support

article number	L mm	G kg
<b>S</b>		
<b>UBDSLFL 60</b>	60	0,07
<b>UBDSLFL 80</b>	80	0,07
<b>UBDSLFL 150</b>	150	0,09



### UGM SLF Subsonic noise sleeve socket - levelling support

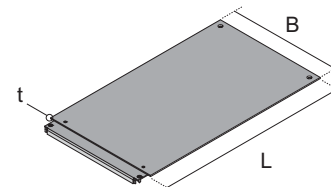
article number	G kg
<b>PVC</b>	
<b>UGM-SLF</b>	0,01



### UEBSD dummy cover

article number	B mm	L mm	t mm	G kg
<b>S</b>				
<b>UEBSD 20S</b>	200	500	3	2,48

accessories included:  
1 x **UEBSQT 20S** transverse cross bar (page A15)



article number	B mm	L mm	t mm	G kg
<b>S</b>				
<b>UEBSD 30S</b>	300	500	3	3,76

accessories included:  
1 x **UEBSQT 30S** transverse cross bar (page A15)

article number	B mm	L mm	t mm	G kg
<b>S</b>				
<b>UEBSD 40S</b>	400	500	3	5,05

accessories included:  
1 x **UEBSQT 40S** transverse cross bar (page A15)

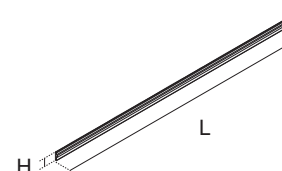
article number	B mm	L mm	t mm	G kg
<b>S</b>				
<b>UEBSD 50S</b>	500	500	3	6,40

accessories included:  
2 x **UEBSQT 50S** transverse cross bar (page A15)

### UEBSPT AL carpet flange with hem 0/3 mm

Brush height 0 or 3 mm

article number	H mm	L mm	G kg
<b>AL</b>			
<b>UEBSPT-3 AL</b>	14	2000	0,04



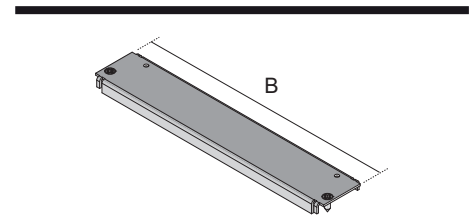
# Screed flush duct systems

## Screed flush duct | Accessories

### UEBSQT transverse cross bar

article number	B mm	G kg
<b>S</b>		
<b>UEBSQT 20S</b>	200	0,19
<b>UEBSQT 30S</b>	300	0,31

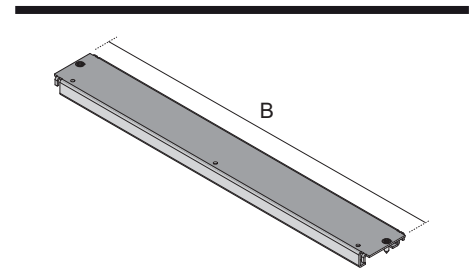
accessories included:  
2 x **BSS 4.8x16** Flat head tapping screw (page A16, D51)



### UEBSQT S transverse cross bar

article number	B mm	G kg
<b>S</b>		
<b>UEBSQT 40S</b>	400	0,42
<b>UEBSQT 50S</b>	500	0,59

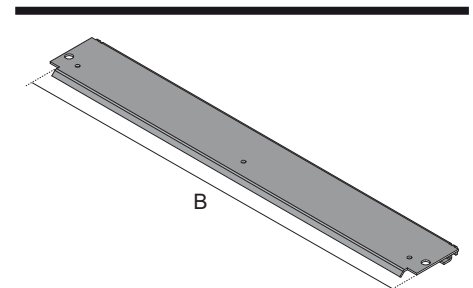
accessories included:  
2 x **BSS 4.8x16** Flat head tapping screw (page A16, D51)



### UEBSQTF transverse cross bar

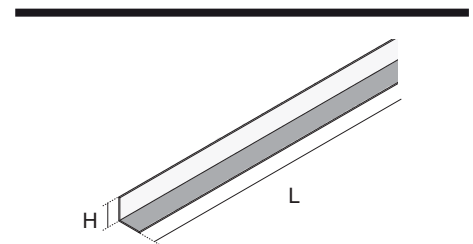
article number	B mm	G kg
<b>S</b>		
<b>UEBSQTF 50S</b>	500	0,59

accessories included:  
2 x **BSS 4.8x16** Flat head tapping screw (page A16, D51)



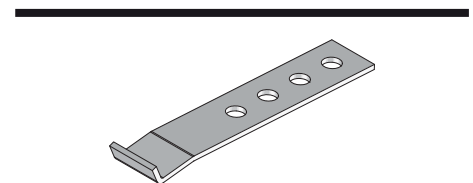
### UEBSTR barrier strip

article number	H mm	L mm	G kg
<b>PA</b>			
<b>UEBSTR 40</b>	40	2000	0,50
<b>UEBSTR 80</b>	80	2000	0,66



### UEBSEA screed anchor

article number	G kg
<b>S</b>	
<b>UEBSEA</b>	0,02



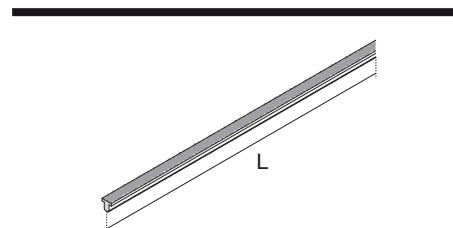


# Screed flush duct systems

## Screed flush duct | Accessories

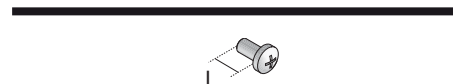
### UEBSPGD Rubber sealing

article number	L mm	G kg
<b>G</b>		
<b>UEBSPGD</b>	2000	0,21



### LKS Lens head screw

article number	L mm	G kg/100
<b>GV</b>		
<b>LKS M4x5</b>	5	0,01
<b>LKS M4x12</b>	12	0,01
<b>LKS M5x10</b>	10	0,01



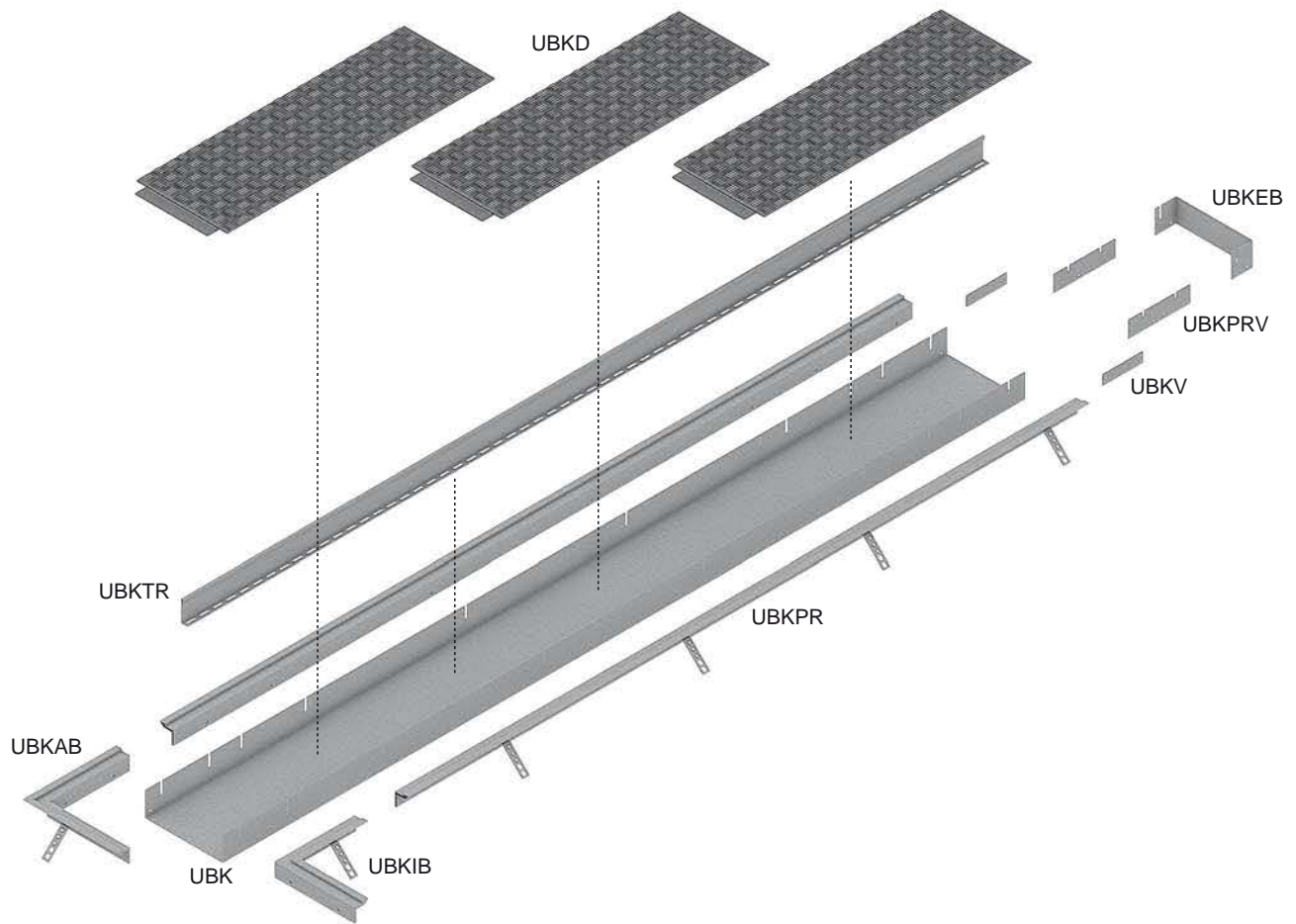
### BSS Flat head tapping screw

article number	L mm	G kg
<b>GV</b>		
<b>BSS 4.8x16</b>	16	<0.01



# System overview

Screed flush duct systems



# Screed flush duct systems

## Heavy-duty floor duct

### UBK bottom piece

Screed-flush heavy-duty duct as an open duct bottom piece.

The screed flush heavy-duty duct consists of the following parts: 1x heavy-duty duct bottom piece UBK; 3x heavy-duty dummy covers UBKD; 2x side profiles UBKPR with appropriate installation and connection materials. Other dimensions on request.

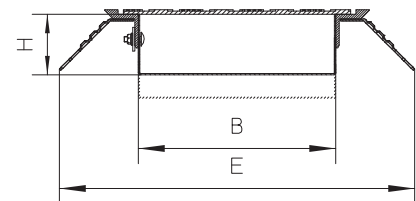
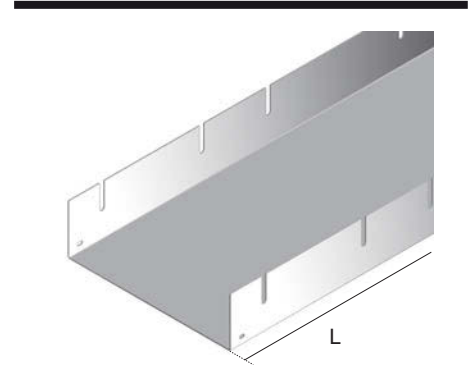
For an application example, see the chapter assembly.

For assembly instructions, see the chapter assembly.

article number	H mm	B mm	L mm	E mm	G kg
<b>S</b>					
<b>UBK 100-20S</b>	90	194	3000	450	17,20
<b>UBK 100-30S</b>	90	294	3000	550	21,90
<b>UBK 100-40S</b>	90	394	3000	650	26,90
<b>UBK 135-20S</b>	125	194	3000	450	18,80
<b>UBK 135-30S</b>	125	294	3000	550	25,20
<b>UBK 135-40S</b>	125	394	3000	650	30,00
<b>UBK 170-20S</b>	160	194	3000	450	23,80
<b>UBK 170-30S</b>	160	294	3000	550	28,50
<b>UBK 170-40S</b>	160	394	3000	650	33,30

accessories optional:

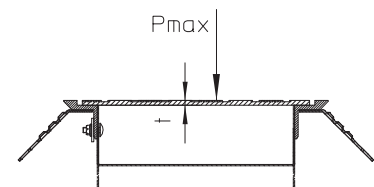
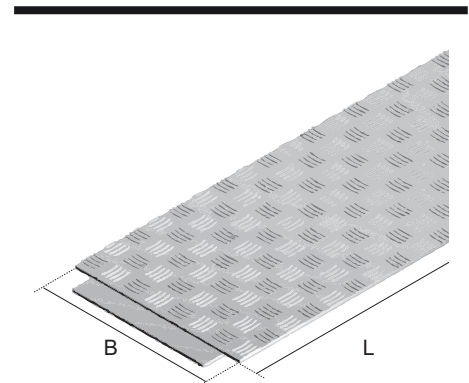
<b>UBKV</b>	coupler	(page A21)
<b>UBKDB</b>	spacer	(page A21)
<b>SNA</b>	nail plug	(page B20)
<b>UBKD</b>	dummy cover	(page A18)
<b>UBKPR</b>	side profile	(page A19)



### UBKD dummy cover

For an application example, see the chapter assembly.

article number	B mm	L mm	t mm	$P_{max}$ kN	G kg
<b>F</b>					
<b>UBKD5 25F</b>	238	1000	5	5	9,80
<b>UBKD5 35F</b>	338	1000	5	5	13,70
<b>UBKD5 45F</b>	438	1000	5	5	17,70
<b>UBKD8 25F</b>	250	1000	8	15	15,70
<b>UBKD8 35F</b>	350	1000	8	15	22,00
<b>UBKD8 45F</b>	450	1000	8	15	28,30
<b>UBKD10 25F</b>	250	1000	10	25	19,70
<b>UBKD10 35F</b>	350	1000	10	25	27,50
<b>UBKD10 45F</b>	450	1000	10	25	35,40



# Screed flush duct systems

## Heavy-duty floor duct

### UBKPR side profile

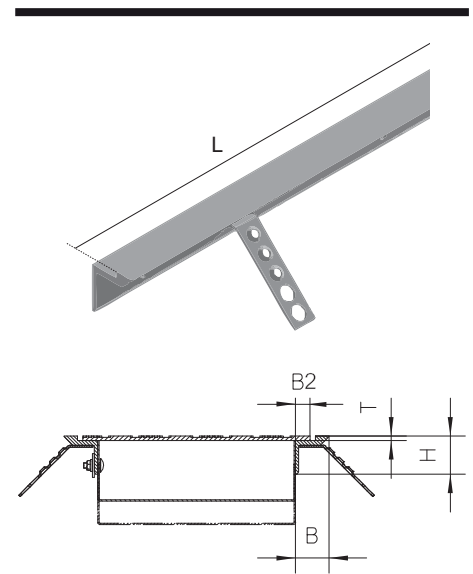
article number	H mm	B mm	B2 mm	L mm	T mm	G kg
<b>F</b>						
<b>UBKPR5F</b>	45	40	24	3000	5	10,80
<b>UBKPR8F</b>	57	50	30	3000	7	14,60
<b>UBKPR10F</b>	60	50	30	3000	10	18,30

accessories included:

5 x **FRS 8x25** cup square neck bolt, DIN 603 (catalogue Cable trays)  
 5 x **SEMS 8** hexagon nut, self-locking (catalogue Cable trays)  
 1 x **UBKPRV** coupler (page A21)

accessories optional:

**UGD 20** rubber strips (page C40)



A

# Screed flush duct systems

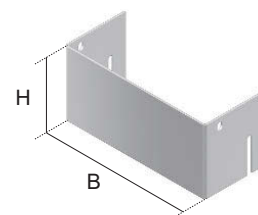
## Heavy-duty floor duct | Fittings

### UBKEB end piece

article number	H mm	B mm	G kg
<b>S</b>			
<b>UBKEB 100-20S</b>	86	188	0,40
<b>UBKEB 100-30S</b>	86	288	0,60
<b>UBKEB 100-40S</b>	86	388	0,70
<b>UBKEB 135-20S</b>	121	188	0,60
<b>UBKEB 135-30S</b>	121	288	0,80
<b>UBKEB 135-40S</b>	121	388	1,00
<b>UBKEB 170-20S</b>	156	188	0,80
<b>UBKEB 170-30S</b>	156	288	1,10
<b>UBKEB 170-40S</b>	156	388	1,30

accessories optional:

**KLS** clamping screw (catalogue Cable trays)



### UBKIB inward profile bend

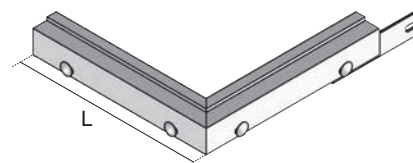
article number	L mm	G kg
<b>F</b>		
<b>UBKIB5F</b>	300	2,50
<b>UBKIB8F</b>	300	3,00
<b>UBKIB10F</b>	300	3,60

accessories included:

1 x **UBKPRV** coupler (page A21)  
 4 x **FRS 8x25** cup square neck bolt, DIN 603 (catalogue Cable trays)  
 4 x **SEMS 8** hexagon nut, self-locking (catalogue Cable trays)

accessories optional:

**UBKV** coupler (page A21)



### UBKAB outward profile bend

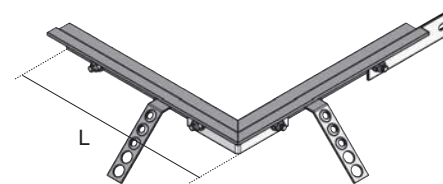
article number	L mm	G kg
<b>F</b>		
<b>UBKAB5F</b>	340	2,50
<b>UBKAB8F</b>	350	3,10
<b>UBKAB10F</b>	350	4,20

accessories included:

1 x **UBKPRV** coupler (page A21)  
 1 x **UBKPRVE** coupler (page A21)  
 4 x **SEMS 8** hexagon nut, self-locking (catalogue Cable trays)  
 4 x **FRS 8x25** cup square neck bolt, DIN 603 (catalogue Cable trays)

accessories optional:

**UBKV** coupler (page A21)



# Screed flush duct systems

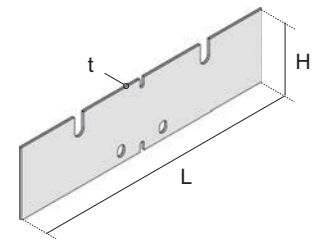
## Heavy-duty floor duct | Accessories

### UBKV coupler

article number	H mm	L mm	t mm	G kg
<b>S</b>				
<b>UBKV 100S</b>	60	230	2	0,21
<b>UBKV 135S</b>	95	230	2	0,34
<b>UBKV 170S</b>	130	230	2	0,46

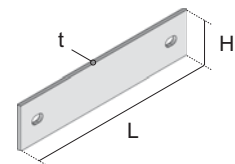
accessories included:

2 x **FRS 8x25** cup square neck bolt, DIN 603 (catalogue Cable trays)  
 2 x **SEMS 8** hexagon nut, self-locking (catalogue Cable trays)



### UBKPRV coupler

article number	H mm	L mm	t mm	G kg
<b>S</b>				
<b>UBKPRV</b>	35	150	3	0,16



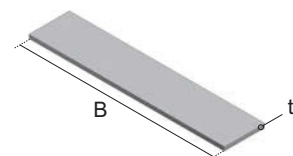
### UBKPRVE coupler

article number	H mm	L mm	t mm	G kg
<b>S</b>				
<b>UBKPRVE</b>	30	90	3	0,20



### UBKDB spacer

article number	B mm	t mm	G kg
<b>F</b>			
<b>UBKDB5 25F</b>	242	5	0,25
<b>UBKDB5 35F</b>	342	5	0,35
<b>UBKDB5 45F</b>	442	5	0,45
<b>UBKDB8 25F</b>	254	5	0,27
<b>UBKDB8 35F</b>	354	5	0,37
<b>UBKDB8 45F</b>	454	5	0,57



### UBKTR barrier strip

article number	H mm	L mm	t mm	G kg
<b>S</b>				
<b>UBKTR 100S</b>	80	3000	1	6,30
<b>UBKTR 135S</b>	115	3000	1	8,20
<b>UBKTR 170S</b>	150	3000	1	10,10

accessories optional:

**SNA** nail plug (page B20)

